

PETER BOND

& Associates (Pty) Ltd.

Co No. 2012/003986/07

Civil & Structural Engineers, Architecture &
Quantity Surveying

OFFICES 31 & 32
KYALAMI ON MAIN SHOPPING CENTRE
DYTCHLEY / MAIN (R55) ROADS
BARBEQUE DOWNS, KYALAMI
MIDRAND

P.O. BOX 30611
KYALAMI
1684

TEL: 011 466 0364
E MAIL: gp@peterbond.co.za
WEB: www.peterbond.co.za

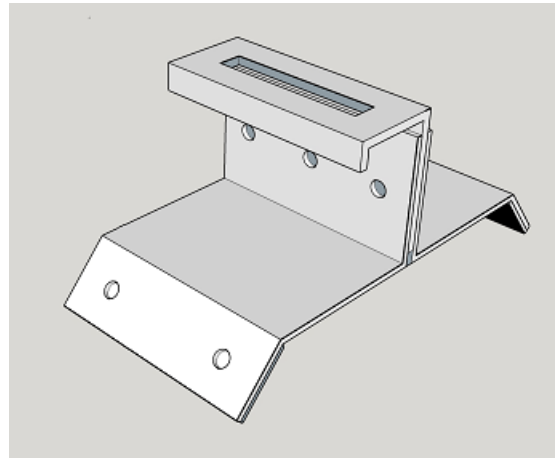
FAX: 011 466 1644
E mail fax: 086 581 5322
CELL: 082 4434943

F553/11/6824-COR78

28 June 2022

PANEL SUPPORT BRACKET: COR78

The COR78 is a fixing bracket designed for securing the support frame for solar panels to a roof where the roof covering is corrugated iron metal roof sheets. When installed in accordance with the KDS installation guide for roof framed panels and secured with 4 x 6 mm diameter TEK screws, the COR78 will provide anchoring of the panel frame to the roof sheets.



The assumptions in calculating the pull out force required to be withstood by the bracket are:-

Solar panel size 2 x 1.2m anchored by 2 COR78 Brackets

Wind loads calculated in accordance with SANS 0160: The general procedures and loadings to be adopted in the design of buildings with the following parameters.

Terrain category 1, Regional wind speed of 40 m/s and return period of 1 in 50 years.

Graeme Parker
PETER BOND & ASSOCIATES (PTY) LTD
Pr Eng. 20160449